

FedEx[®]
Express

TNT

Automotive Logistics

How FedEx Express and TNT drive your business forward

The complete solution

FedEx Express and TNT have joined forces to offer you the most comprehensive logistics solutions in the automotive industry

A combination that works better for you

We offer definitive connections that meet your specific needs with the inter-continental services of FedEx Express combined with the TNT pan-European road network.

Get more control over your supply chain

FedEx Express and TNT offer you a complete service at the right cost, with fast and accurate shipping, an optimised in-house customs clearance process and the combined abilities of our dedicated worldwide teams.

Enjoy global reach with a local feel

We're building towards full integration, but we've achieved a lot already – two leaders in logistics coming together to give you effective solutions from the first mile to the last.



Go further with FedEx Express and TNT

We are integrating FedEx Express and TNT. In the future, we will combine the services, strengths and scale of our two world-class logistics companies. For now, you can enjoy simple and streamlined access to our two separate portfolios, giving you more choice and convenience than before.



Inbound to production

Keep your production lines running smoothly with our expert solutions

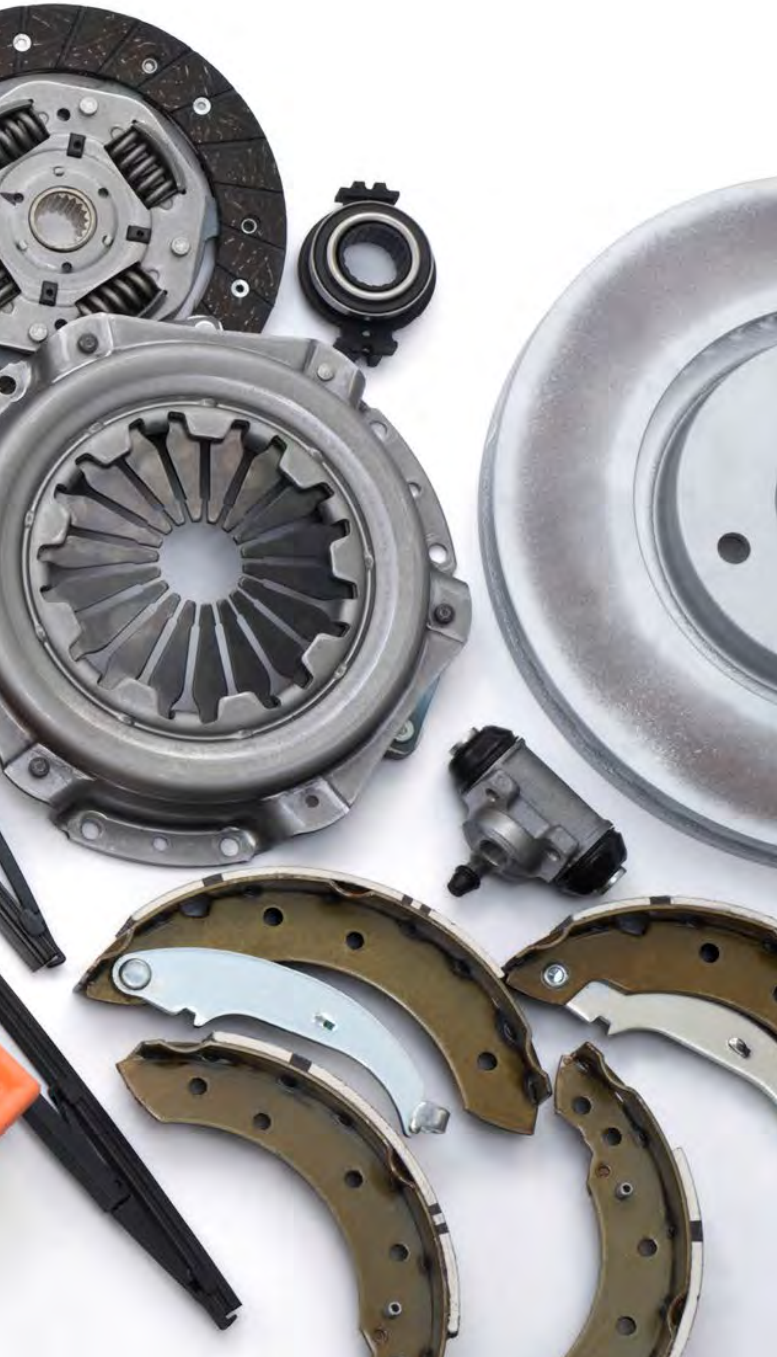
At FedEx Express and TNT, we understand how complex automotive supply chains can be. With lean manufacturing requiring thousands of parts to be delivered from multiple countries – and in precise quantities, sequences and timeframes to prevent costly stoppages – you need two partners you can trust. Our fast, reliable and specialist combined services mean you can count on us to keep your production lines running smoothly, minimise your costs and enhance your productivity.



Aftermarket services

Help dealers and service agents deliver on their promises to customers

FedEx Express and TNT know how critical the aftermarket business is to the automotive industry. That's why we put your priorities at the heart of our combined service. It's a complex challenge, with early morning deliveries, stock availability and supply chain visibility all crucial. But we make even the most complicated supply chains run seamlessly, maximising vehicle uptime, workshop utilisation and customer retention while reducing inventory levels, costs and the time taken for services.



Driving performance

Get more value across your demanding automotive supply chains with our combined capabilities



When you need reliability: To keep inventories down and avoid costly delays to production or servicing, you need to be certain that parts will be in the right place at the right time. With TNT in Europe having the widest range of day and time definite services under one roof and FedEx Express leading the market on Express pre-9:00 deliveries to the USA, we make sure they are.

When you need speed: The combination of FedEx Express and TNT lets you act quickly and decisively. With some of the fastest transport times in the industry, our combined European air express network, and TNT Special Services – which provide bespoke, time-critical solutions – we help you manage production volatility and improve customer retention through faster servicing.

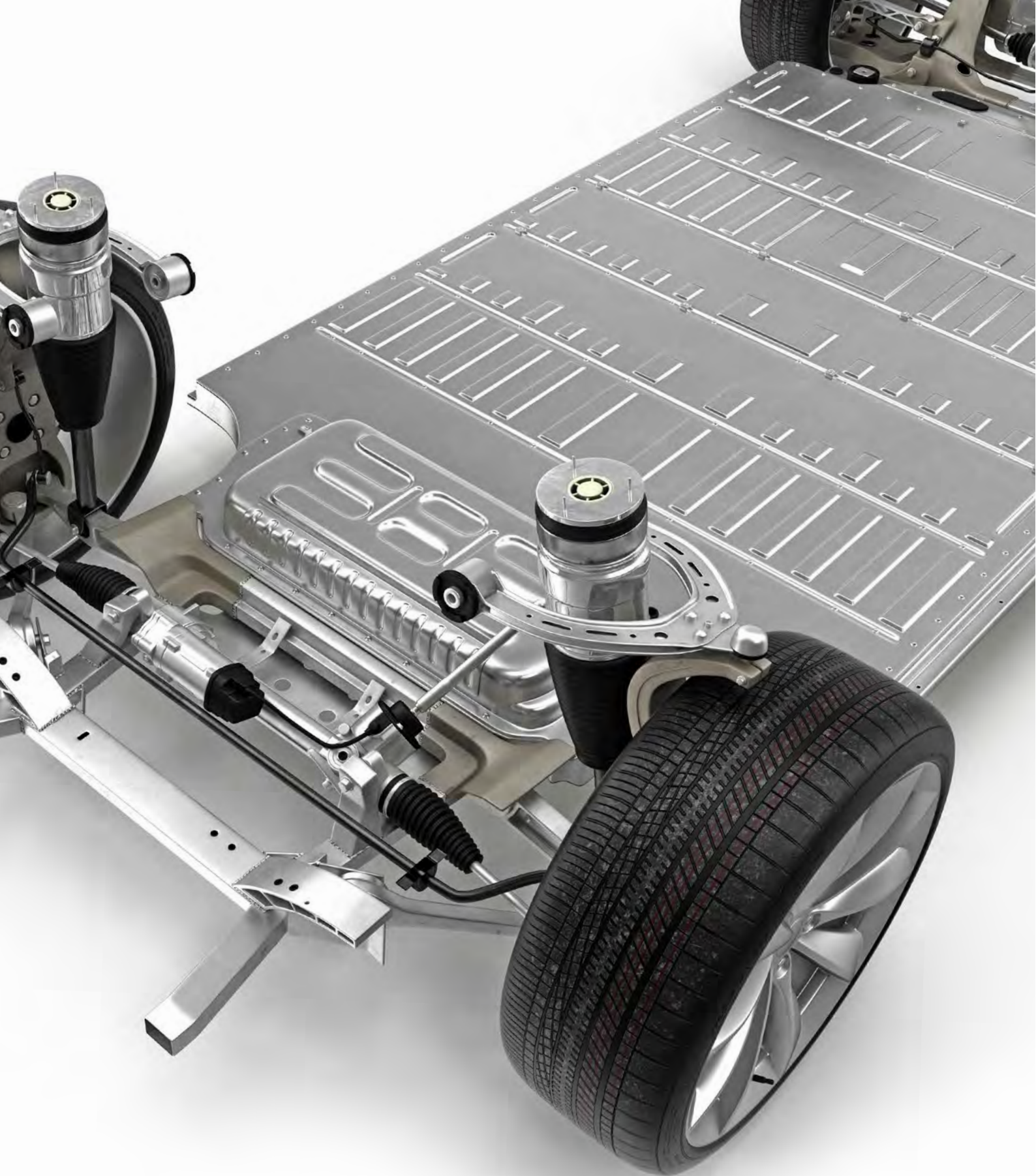


When you need coverage: Unmatched global coverage – optimised for both parcels and pallets – means you can run leaner production, make more direct shipments, improve response times and ship emergency parts faster.

When you need to watch costs: Our broad range of services allows you to be more cost-efficient. We help you to reduce the need for multiple carriers, minimise inventory pipeline costs, lower transport costs and boost efficiency across your entire logistics operation.

When you need expertise: Make logistics decisions with confidence by utilising our operational excellence and industry expertise. From superior handling of dangerous goods and in-house customs clearance, to end-to-end delivery monitoring and dedicated customer service teams – we give peace of mind for your business.







Putting you ahead of the rest

Accelerate your performance with our transatlantic capabilities

FedEx Express has more European flights to more U.S. destinations than any other competitor. It is faster to more U.S. destinations than its nearest competitor, and 96% faster or on par with competitors for Express pre-9:00am – all supported by its pre-customs clearance process.

Respond faster with our European air express

TNT's European hub in Liege has over 680 flights a week, carrying 600 tonnes per night to 65 airports across the continent. FedEx Express has over 400 intra-European flights each week, with its fleet of 31 aircraft flying to 41 airports.

Drive your business forward with our European road network

TNT operates the widest and fastest road network in Europe, connecting 44 countries daily with 92% of lanes faster or equal to the competition and delivering to 20% more destinations in Europe within 48 hours.

Benefits for your business at-a-glance



Improved repair times and workshop utilisation



More reliable production schedules



Reduced inventory levels and costs



Lower transport and carrier costs



Increased customer retention



Increased planning productivity

Fuel lean inventories with our flexible services

TNT offers a bigger range of time and day definite guaranteed delivery services via one contact than any other integrator or freight forwarder, including a combination of network and special services for same day, time definite, day definite and freight services completed by time option deliveries such as pre-9:00, 10:00, and 12:00.

Put yourself at ease with our dangerous goods expertise

FedEx Express has the widest geographical dangerous goods (DG) coverage at over 60 countries, carries the largest number of DG classes and commodities and is the only integrator with no pre-booking or contractual requirements for customers.

Make it easier with our dedicated customer service

TNT's Automotive Control Center (ACC) offers a single point of contact and dedicated after-sales support for customers with specific needs. It gives a seamless order management service with full visibility of information, while every consignment booked through ACC is monitored from collection to delivery.

Let us help you drive your business forward

Inbound to production

- Are you an automotive manufacturer in Europe, or a manufacturer of large sub-assemblies as a Tier 1 or Tier 2 supplier?
- Do you source components from across Europe?
- Do you operate scheduled and/or emergency production flows?
- Do you use multiple pallets and/or parcels?
- Are you currently managing a variety of carriers?



Aftermarket services

- Do you deliver service or servicing parts to a dealer or service centre network in Europe?
- Do you have European warehousing and ship parts to the US?
- Do you ship stock replenishment, VOR or emergency shipments?
- Do you ship multiple pallets and/or parcels?
- Are you currently managing a variety of carriers?

Your FedEx Express and TNT services overview

	For your time-critical and urgent needs	For your less urgent needs	For your freight needs (> 68kg)
FedEx Express	Highly urgent time-definite international express (9-10am) <ul style="list-style-type: none"> FedEx Europe First® FedEx International First® 	Less urgent international economy <ul style="list-style-type: none"> FedEx International Economy® 	Urgent international freight <ul style="list-style-type: none"> FedEx International Priority® Freight FedEx International Priority DirectDistribution® Freight
	Urgent international express <ul style="list-style-type: none"> FedEx International Priority® FedEx International Priority DirectDistribution® 		Less urgent international freight <ul style="list-style-type: none"> FedEx International Economy® Freight FedEx International Direct Priority Ocean*
	If you would like value-added services (selection)		
	<ul style="list-style-type: none"> Intercontinental Dangerous Goods (Air) FedEx® Global Returns Specialised Packaging 	<ul style="list-style-type: none"> Customs Clearance FedEx Priority Alert Plus™ 	<ul style="list-style-type: none"> SenseAware® Fulfillment®**

*this service is provided by FedEx Trade Networks. **this service is provided by FedEx Supply Chain Services

	For your time-critical and urgent needs	For your less urgent needs	For your freight needs
TNT	Highly urgent domestic & international sameday <ul style="list-style-type: none"> Dedicated Vehicle Air Charter Onboard Courier Special Express Next Flight Out 	Less urgent international economy <ul style="list-style-type: none"> 12:00 Economy Express Economy Express 	Domestic & international air or roadfreight <ul style="list-style-type: none"> Airfreight Door-to-Door Airfreight Door-to-Airport Roadfreight FTL/LTL Secured Freight
	Urgent domestic & international express <ul style="list-style-type: none"> 9:00 Express 10:00 Express 12:00 Express Express 		
	If you would like value-added services (selection)		
	<ul style="list-style-type: none"> Dangerous Goods (Air & Road) Insurances Integrated Direct Express 	<ul style="list-style-type: none"> Customs Services EDI Services Direct Express 	<ul style="list-style-type: none"> Early Morning Delivery Returns Solutions Service Parts Solution

FedEx Express and/or TNT have been awarded the following certifications



Contact us

FedEx Express:

01806 111 800*
 automotive@fedex.com
 fedex.com/de/automotive

TNT:

01806 900 800*
 team-automotive@tnt.de
 tnt.com/de

*20 cents per call from a German landline. Mobile rate max. 60 cents per call.

